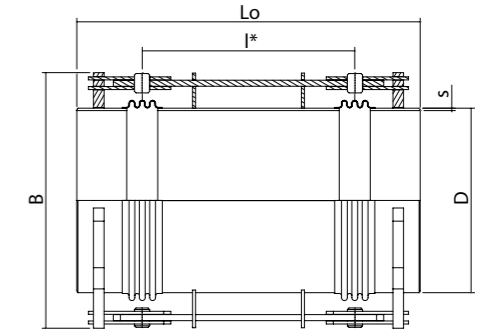


LATERAL EXPANSION JOINTS WITH WELDING ENDS AND HINGES

LA2SH / ID no. 88

PN 6

WebLink: 13208



LA

DN Nominal diameter	MOVEMENT LA 2λN mm	LENGTH Built-in length Lo mm	ID no.	WIDTH Max. width approx. B mm	WELDING ENDS		BELLOW Centre distance l* mm	ADJUSTING FORCES			WEIGHT kg	DN Nominal diameter	MOVEMENT LA 2λN mm	LENGTH Built-in length Lo mm	ID no.	WIDTH Max. width approx. B mm	WELDING ENDS		BELLOW Centre distance l* mm	ADJUSTING FORCES			WEIGHT kg
					Outside diameter D mm	Wall thickness s mm		Cλ N/mm	Cp N/mm bar	Cr N/bar							Outside diameter D mm	Wall thickness s mm		Cλ N/mm	Cp N/mm bar	Cr N/bar	
For smaller dimensions, please refer to type LA2ST / ID no 87																							
600	61	815	88.122.10	840	610	6	397	249	6,6	417	188	1300	67	1305	88.133.10	1580	1320	8	792	400	7,2	2087	880
600	101	1075	88.122.20	840	610	6	657	91	2,4	252	216	1300	138	1410	88.133.20	1580	1320	8	855	158	11	1946	910
600	150	1395	88.122.30	840	610	6	977	41	1,1	170	251	1300	151	1495	88.133.30	1580	1320	8	938	132	8,6	1774	937
600	200	1715	88.122.40	840	610	6	1297	23	0,7	128	286	1300	200	1795	88.133.40	1580	1320	8	1238	76	4,9	1344	1038
700	90	990	88.124.10	945	711	6	515	98	8,3	433	228	1400	67	1355	88.134.10	1700	1420	8	842	428	7,3	2271	1102
700	100	1050	88.124.20	945	711	6	575	79	6,7	388	236	1400	136	1460	88.134.20	1700	1420	8	905	172	11	2126	1137
700	151	1340	88.124.30	945	711	6	865	35	3	258	274	1400	151	1565	88.134.30	1700	1420	8	1008	139	8,6	1909	1175
700	200	1620	88.124.40	945	711	6	1145	20	1,7	195	310	1400	201	1890	88.134.40	1700	1420	8	1335	79	4,9	1441	1298
800	95	990	88.126.10	1055	813	8	535	134	8,2	783	367	1500	66	1425	88.135.10	1840	1520	8	892	466	7,5	2455	1252
800	101	1020	88.126.20	1055	813	8	565	119	7,3	742	373	1500	132	1530	88.135.20	1840	1520	8	955	194	11	2304	1289
800	151	1300	88.126.30	1055	813	8	845	53	3,3	496	428	1500	150	1665	88.135.30	1840	1520	8	1088	150	8,4	2024	1342
800	201	1580	88.126.40	1055	813	8	1125	30	1,9	373	484	1500	200	2020	88.135.40	1840	1520	8	1445	85	4,7	1523	1486
900	91	1050	88.128.10	1190	914	8	585	157	8,5	899	440	1600	65	1475	88.136.10	1945	1620	8	942	505	7,6	2639	1397
900	101	1110	88.128.20	1190	914	8	645	129	7	815	453	1600	126	1580	88.136.20	1945	1620	8	1005	225	11	2483	1436
900	151	1430	88.128.30	1190	914	8	965	58	3,2	545	526	1600	150	1770	88.136.30	1945	1620	8	1195	159	7,8	2088	1517
900	201	1750	88.128.40	1190	914	8	1285	33	1,8	410	599	1600	200	2170	88.136.40	1945	1620	8	1595	90	4,4	1565	1685
1000	88	1120	88.130.10	1265	1016	8	635	182	8,9	1625	547	1700	55	1560	88.137.10	2040	1720	8	995	920	7,9	3522	1691
1000	100	1210	88.130.20	1265	1016	8	725	140	6,9	1423	570	1700	116	1640	88.137.20	2040	1720	8	1060	355	12	3322	1728
1000	150	1570	88.130.30	1265	1016	8	1085	63	3,1	951	660	1700	150	1940	88.137.30	2040	1720	8	1360	214	7	2590	1868
1000	200	1930	88.130.40	1265	1016	8	1445	35	1,8	714	750	1700	200	2400	88.137.40	2040	1720	8	1820	120	3,9	1935	2082
1100	101	1235	88.131.10	1415	1120	8	718	181	11	1090	662	1800	55	1660	88.138.10	2145	1820	8	1045	977	8	3753	2070
1100	101	1235	88.131.20	1415	1120	8	718	181	11	1090	662	1800	117	1730	88.138.20	2145	1820	8	1110	369	12	3554	2106
1100	150	1585	88.131.30	1415	1120	8	1068	82	4,8	733	759	1800	150	2040	88.138.30	2145	1820	8	1420	225	7,2	2778	2268
1100	200	1935	88.131.40	1415	1120	8	1418	47	2,8	552	856	1800	200	2510	88.138.40	2145	1820	8	1890	127	4,1	2087	2515
1200	104	1355	88.132.10	1465	1220	8	802	176	9,6	1743	752												
1200	104	1355	88.132.20	1465	1220	8	802	176	9,6	1743	752												
1200	150	1705	88.132.30	1465	1220	8	1152	85	4,7	1214	858												
1200	200	2085	88.132.40	1465	1220	8	1532	48	2,7	913	974												

To be continued...

Design code: EN 14917
 Temperature: Calculated at 20°C (EN 1333)
 Minimum fatigue life: 1000 cycles

Please refer to WebLink 13208 or the QR code to access online tools and online inquiry/order form and more

information about: **Primer, connection ends, inner sleeve, cover etc.**

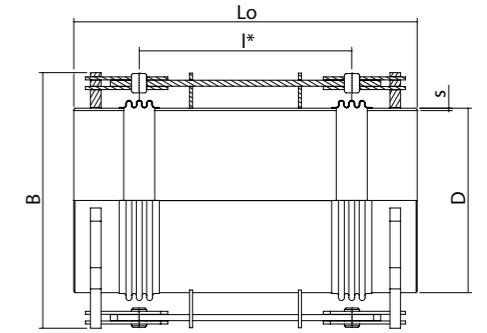


LATERAL EXPANSION JOINTS WITH WELDING ENDS AND HINGES

LA2SH / ID no. 88

PN 6

Weblink: 13208



DN	MOVEMENT	LENGTH	ID no.	WIDTH	WELDING ENDS		BELLOW	ADJUSTING FORCES			WEIGHT	DN	MOVEMENT	LENGTH	ID no.	WIDTH	WELDING ENDS		BELLOW	ADJUSTING FORCES			WEIGHT
					Outside diameter D mm	Wall thickness s mm		Cλ N/mm	Cp N/mm bar	Cr N/bar							Outside diameter D mm	Wall thickness s mm		Cλ N/mm	Cp N/mm bar	Cr N/bar	
Nominal diameter	LA	Built-in length Lo mm		Max. width approx. B mm			Centre distance l* mm				kg	Nominal diameter	LA	Built-in length Lo mm		Max. width approx. B mm			Centre distance l* mm			kg	
	2λN mm												2λN mm										
1900	64	1820	88.139.10	2245	1920	8	1095	782	8,1	5201	2368												
1900	116	1890	88.139.20	2245	1920	8	1160	395	12	4917	2399												
1900	150	2220	88.139.30	2245	1920	8	1490	238	7,3	3828	2578												
1900	200	2720	88.139.40	2245	1920	8	1990	134	4,1	2866	2850												
2000	64	1880	88.140.10	2350	2020	8	1145	825	8,2	5503	2583												
2000	115	1940	88.140.20	2350	2020	8	1210	421	13	5215	2609												
2000	150	2300	88.140.30	2350	2020	8	1570	249	7,3	4019	2811												
2000	200	2820	88.140.40	2350	2020	8	2090	140	4,1	3019	3104												

This page is intentionally left blank

Design code: EN 14917
 Temperature: Calculated at 20°C (EN 1333)
 Minimum fatigue life: 1000 cycles

Please refer to Weblink 13208 or the QR code to access online tools and online inquiry/order form and more

information about: **Primer, connection ends, inner sleeve, cover etc.**

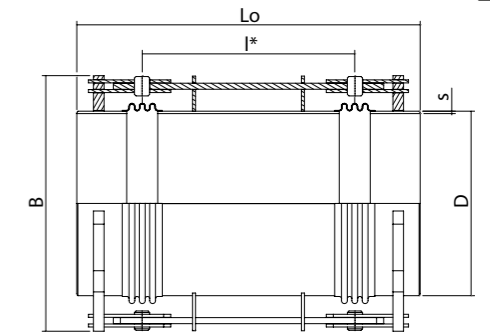


LATERAL EXPANSION JOINTS WITH WELDING ENDS AND HINGES

LA2SH / ID no. 88

PN 10

WebLink: 13208



DN Nominal diameter	MOVEMENT LA 2λN mm	LENGTH Built-in length Lo mm	ID no.	WIDTH Max. width approx. B mm	WELDING ENDS		BELLOW Centre distance l* mm	ADJUSTING FORCES			WEIGHT kg	DN Nominal diameter	MOVEMENT LA 2λN mm	LENGTH Built-in length Lo mm	ID no.	WIDTH Max. width approx. B mm	WELDING ENDS		BELLOW Centre distance l* mm	ADJUSTING FORCES			WEIGHT kg
					Outside diameter D mm	Wall thickness s mm		Cλ N/mm	Cp N/mm bar	Cr N/bar							Outside diameter D mm	Wall thickness s mm		Cλ N/mm	Cp N/mm bar	Cr N/bar	
For smaller dimensions, please refer to type LA2ST / ID no 87																							
600	57	825	88.172.10	845	610	8	397	263	6,6	595	261	1300	74	1375	88.183.10	1645	1320	8	798	521	7,3	2612	1316
600	101	1125	88.172.20	845	610	8	697	85	2,2	339	309	1300	100	1645	88.183.20	1645	1320	8	1068	288	4,1	1952	1421
600	150	1465	88.172.30	845	610	8	1037	39	1	228	363	1300	150	2185	88.183.30	1645	1320	8	1608	128	1,8	1297	1630
600	200	1805	88.172.40	845	610	8	1377	22	0,6	172	416	1300	200	2715	88.183.40	1645	1320	8	2138	72	1,1	975	1836
700	90	960	88.174.10	980	711	8	490	179	7,8	656	365	1400	71	1510	88.184.10	1745	1420	8	850	604	7,7	2839	1651
700	100	1010	88.174.20	980	711	8	540	147	6,4	595	375	1400	154	1630	88.184.20	1745	1420	8	950	248	13	2541	1702
700	150	1280	88.174.30	980	711	8	810	65	2,9	397	425	1400	154	1630	88.184.30	1745	1420	8	950	248	13	2541	1702
700	200	1550	88.174.40	980	711	8	1080	37	1,6	298	476	1400	199	1910	88.184.40	1745	1420	8	1230	148	7,3	1962	1826
800	82	1040	88.176.10	1095	813	8	540	237	8,4	780	463												
800	101	1160	88.176.20	1095	813	8	660	157	5,6	638	490												
800	150	1480	88.176.30	1095	813	8	980	72	2,6	430	559												
800	200	1810	88.176.40	1095	813	8	1310	40	1,5	322	631												
900	88	1120	88.178.10	1190	914	8	595	300	9	1425	602												
900	100	1200	88.178.20	1190	914	8	675	232	7	1256	622												
900	151	1540	88.178.30	1190	914	8	1015	103	3,1	835	705												
900	200	1870	88.178.40	1190	914	8	1345	59	1,8	630	785												
1000	86	1190	88.180.10	1320	1016	8	645	336	9,4	1612	759												
1000	100	1290	88.180.20	1320	1016	8	745	250	7,1	1396	787												
1000	150	1660	88.180.30	1320	1016	8	1115	112	3,2	933	889												
1000	200	2030	88.180.40	1320	1016	8	1485	63	1,8	700	991												
1100	67	1235	88.181.10	1430	1120	8	663	571	8,3	2395	955												
1100	100	1555	88.181.20	1430	1120	8	983	258	3,8	1615	1056												
1100	150	2045	88.181.30	1430	1120	8	1473	115	1,7	1078	1211												
1100	200	2525	88.181.40	1430	1120	8	1953	65	1	813	1363												
1200	75	1295	88.182.10	1525	1220	8	748	478	7,1	1907	1021												
1200	100	1540	88.182.20	1525	1220	8	990	271	4,2	1440	1104												
1200	150	2025	88.182.30	1525	1220	8	1478	121	1,9	965	1271												
1200	200	2525	88.182.40	1525	1220	8	1978	68	1,1	721	1442												

Design code: EN 14917
 Temperature: Calculated at 20°C (EN 1333)
 Minimum fatigue life: 1000 cycles

Please refer to WebLink 13208 or the QR code to access online tools and online inquiry/order form and more

information about: **Primer, connection ends, inner sleeve, cover etc.**

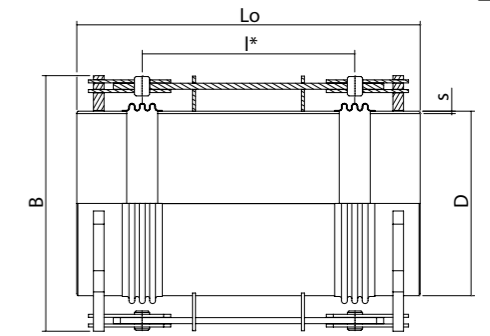


LATERAL EXPANSION JOINTS WITH WELDING ENDS AND HINGES

LA2SH / ID no. 88

PN 25

WebLink: 13208



DN Nominal diameter	MOVEMENT LA 2λN mm	LENGTH Built-in length Lo mm	ID no.	WIDTH Max. width approx. B mm	WELDING ENDS		BELLOW Centre distance l* mm	ADJUSTING FORCES			WEIGHT kg	DN Nominal diameter	MOVEMENT LA 2λN mm	LENGTH Built-in length Lo mm	ID no.	WIDTH Max. width approx. B mm	WELDING ENDS		BELLOW Centre distance l* mm	ADJUSTING FORCES			WEIGHT kg
					Outside diameter D mm	Wall thickness s mm		Cλ N/mm	Cp N/mm bar	Cr N/bar							Outside diameter D mm	Wall thickness s mm		Cλ N/mm	Cp N/mm bar	Cr N/bar	
For smaller dimensions, please refer to type LA2ST / ID no 87																							
400	59	840	88.268.10	625	406,4	8,8	390	192	2,8	273	208												
400	101	1110	88.268.20	625	406,4	8,8	660	66	1	161	242												
400	150	1430	88.268.30	625	406,4	8,8	980	30	0,5	109	282												
400	200	1760	88.268.40	625	406,4	8,8	1310	17	0,3	82	324												
450	50	935	88.269.10	715	457	8,8	487	225	1,8	280	280												
450	100	1425	88.269.20	715	457	8,8	977	56	0,5	140	352												
450	149	1905	88.269.30	715	457	8,8	1457	26	0,2	94	422												
450	200	2395	88.269.40	715	457	8,8	1947	14	0,2	70	494												
500	50	895	88.270.10	775	508	8,8	428	405	3,7	398	316												
500	100	1325	88.270.20	775	508	8,8	858	101	0,9	199	388												
500	150	1745	88.270.30	775	508	8,8	1278	45	0,5	133	458												
500	200	2175	88.270.40	775	508	8,8	1708	26	0,3	100	530												
600	50	1015	88.272.10	890	610	10	468	693	5,4	832	491												
600	100	1175	88.272.20	890	610	10	578	267	5,8	676	524												
600	150	1465	88.272.30	890	610	10	868	119	2,6	450	589												
600	200	1755	88.272.40	890	610	10	1158	67	1,5	338	655												
700	50	1025	88.274.10	1045	711	10	468	921	7,3	1134	689												
700	100	1285	88.274.20	1045	711	10	683	362	5,7	768	753												
700	150	1625	88.274.30	1045	711	10	1023	161	2,6	513	847												
700	201	1965	88.274.40	1045	711	10	1363	91	1,5	385	941												

This page is intentionally left blank

Design code: EN 14917
 Temperature: Calculated at 20°C (EN 1333)
 Minimum fatigue life: 1000 cycles

Please refer to WebLink 13208 or the QR code to access online tools and online inquiry/order form and more

information about: **Primer, connection ends, inner sleeve, cover etc.**

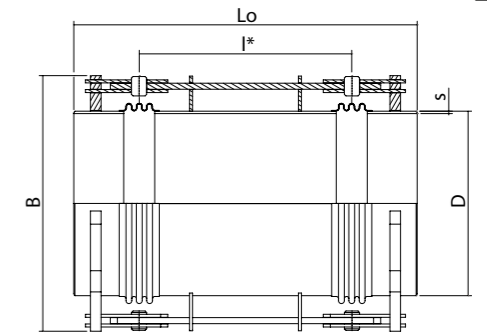


LATERAL EXPANSION JOINTS WITH WELDING ENDS AND HINGES

LA2SH / ID no. 88

PN 40

WebLink: 13208



DN Nominal diameter	MOVEMENT LA 2λN mm	LENGTH Built-in length Lo mm	ID no.	WIDTH Max. width approx. B mm	WELDING ENDS		BELLOW Centre distance l* mm	ADJUSTING FORCES			WEIGHT kg	DN Nominal diameter	MOVEMENT LA 2λN mm	LENGTH Built-in length Lo mm	ID no.	WIDTH Max. width approx. B mm	WELDING ENDS		BELLOW Centre distance l* mm	ADJUSTING FORCES			WEIGHT kg
					Outside diameter D mm	Wall thickness s mm		Cλ N/mm	Cp N/mm bar	Cr N/bar							Outside diameter D mm	Wall thickness s mm		Cλ N/mm	Cp N/mm bar	Cr N/bar	
For smaller dimensions, please refer to type LA2ST / ID no 87																							
300	50	930	88.316.10	580	323,9	8	425	317	1,5	158	252												
300	100	1360	88.316.20	580	323,9	8	855	79	0,4	79	304												
300	150	1780	88.316.30	580	323,9	8	1275	36	0,2	53	355												
300	200	2200	88.316.40	580	323,9	8	1695	20	0,1	40	406												
350	60	895	88.317.10	600	355,6	8	398	197	2,3	204	216												
350	100	1165	88.317.20	600	355,6	8	668	71	0,8	122	248												
350	150	1495	88.317.30	600	355,6	8	998	32	0,4	82	286												
350	200	1825	88.317.40	600	355,6	8	1328	18	0,2	61	325												
400	69	940	88.318.10	670	406,4	10	420	248	3,3	254	295												
400	100	1130	88.318.20	670	406,4	10	610	118	1,6	175	325												
400	151	1440	88.318.30	670	406,4	10	920	52	0,7	116	373												
400	201	1740	88.318.40	670	406,4	10	1220	30	0,4	88	420												
450	50	1005	88.319.10	745	457	10	457	420	2,9	475	415												
450	101	1465	88.319.20	745	457	10	917	104	0,8	237	501												
450	150	1915	88.319.30	745	457	10	1367	47	0,4	159	586												
450	200	2365	88.319.40	745	457	10	1817	27	0,2	120	670												
500	50	1010	88.320.10	780	508	10	450	561	3,8	607	451												
500	100	1460	88.320.20	780	508	10	900	141	1	304	541												
500	150	1910	88.320.30	780	508	10	1350	63	0,5	203	631												
500	200	2360	88.320.40	780	508	10	1800	35	0,3	152	721												

This page is intentionally left blank

Design code: EN 14917
 Temperature: Calculated at 20°C (EN 1333)
 Minimum fatigue life: 1000 cycles

Please refer to WebLink 13208 or the QR code to access online tools and online inquiry/order form and more

information about: **Primer, connection ends, inner sleeve, cover etc.**

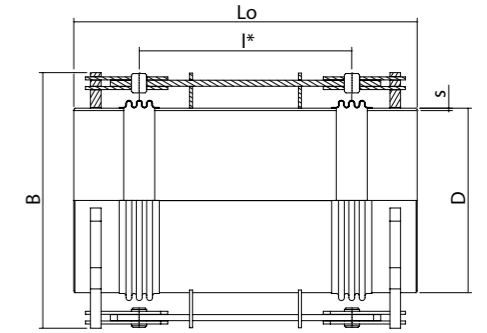


LATERAL EXPANSION JOINTS WITH WELDING ENDS AND HINGES

LA2SH / ID no. 88

PN 63

WebLink: 13208



DN Nominal diameter	MOVEMENT LA 2λN mm	LENGTH Built-in length Lo mm	ID no.	WIDTH Max. width approx. B mm	WELDING ENDS		BELLOW Centre distance l* mm	ADJUSTING FORCES			WEIGHT kg	DN Nominal diameter	MOVEMENT LA 2λN mm	LENGTH Built-in length Lo mm	ID no.	WIDTH Max. width approx. B mm	WELDING ENDS		BELLOW Centre distance l* mm	ADJUSTING FORCES			WEIGHT kg
					Outside diameter D mm	Wall thickness s mm		Cλ N/mm	Cp N/mm bar	Cr N/bar							Outside diameter D mm	Wall thickness s mm		Cλ N/mm	Cp N/mm bar	Cr N/bar	
For smaller dimensions, please refer to type LA2ST / ID no 87																							
250	50	855	88.365.10	510	273	10	393	214	1,2	123	193												
250	100	1245	88.365.20	510	273	10	783	54	0,3	62	238												
250	150	1635	88.365.30	510	273	10	1173	24	0,2	41	282												
250	201	2025	88.365.40	510	273	10	1563	14	0,1	31	327												
300	50	980	88.366.10	580	323,9	11	455	293	1,3	148	279												
300	99	1420	88.366.20	580	323,9	11	895	76	0,4	75	343												
300	150	1870	88.366.30	580	323,9	11	1345	34	0,2	50	407												
300	200	2320	88.366.40	580	323,9	11	1795	19	0,1	38	472												
350	52	965	88.367.10	610	355,6	12,5	407	360	2,4	317	332												
350	100	1335	88.367.20	610	355,6	12,5	777	99	0,7	166	395												
350	150	1725	88.367.30	610	355,6	12,5	1167	44	0,3	111	462												
350	200	2115	88.367.40	610	355,6	12,5	1557	25	0,2	83	528												
400	49	1015	88.368.10	675	406,4	14,2	458	603	2,5	373	438												
400	100	1475	88.368.20	675	406,4	14,2	918	148	0,7	186	537												
400	150	1935	88.368.30	675	406,4	14,2	1378	66	0,3	124	636												
400	200	2395	88.368.40	675	406,4	14,2	1838	37	0,2	93	734												

This page is intentionally left blank

Design code: EN 14917
 Temperature: Calculated at 20°C (EN 1333)
 Minimum fatigue life: 1000 cycles

Please refer to WebLink 13208 or the QR code to access online tools and online inquiry/order form and more

information about: **Primer, connection ends, inner sleeve, cover etc.**

